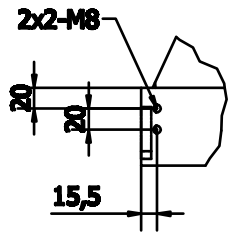
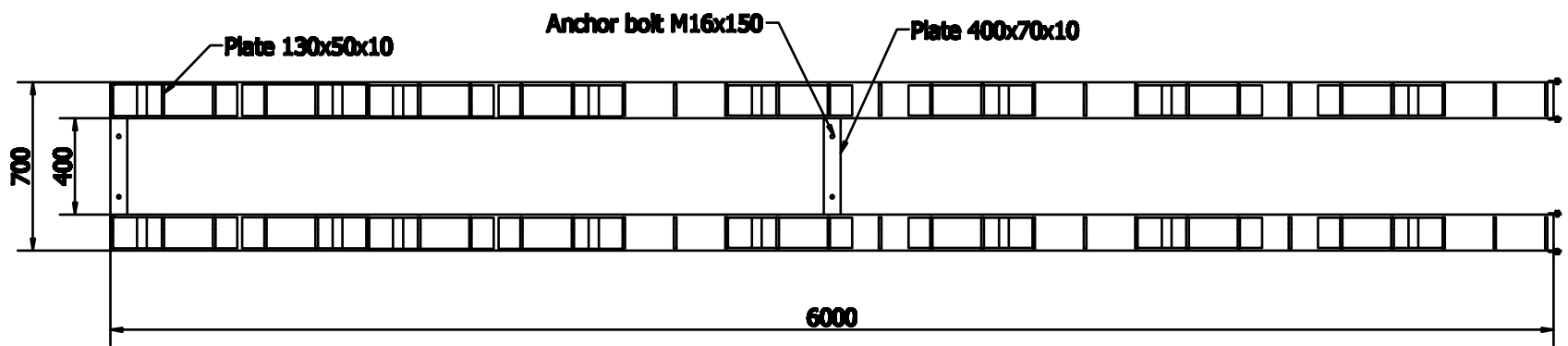
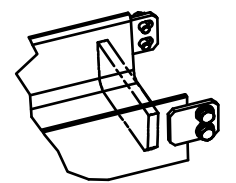
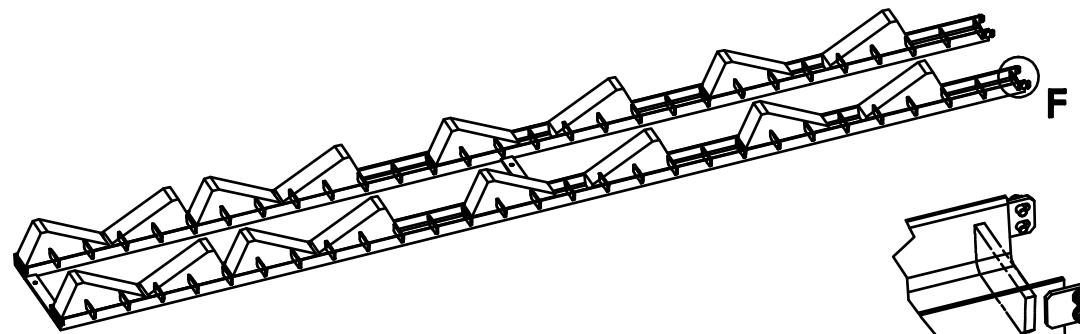
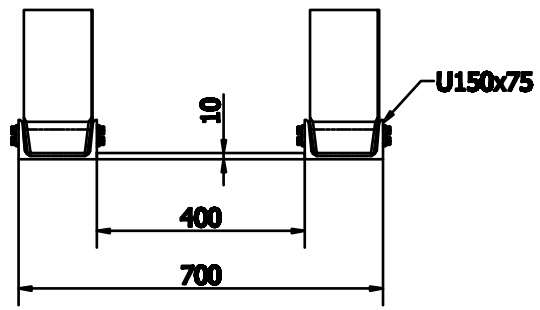


D (1:5)



E (1:5)



F (1:5)

Designed by becrit	Checked by	Approved by	Date	Date 04/04/2024	
			Drawing2		Sheet 3 / 4